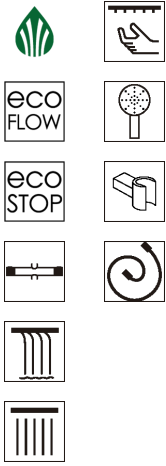


Bathroom Taps



Description

T&F PREMIUM - Thermostatic shower column with built-in wax thermoelement, glass shelf, shower head with water fall, hand shower bracket and multifunction hand shower. Connections of 1/2" and a distance of 150 mm between them. It includes a non-return valve and safety stop at 38°. The flow rate at 3 bar of the hand shower is 6,2 l/min and of the shower head 15,09 l/min.

Finish



chrome
100322798

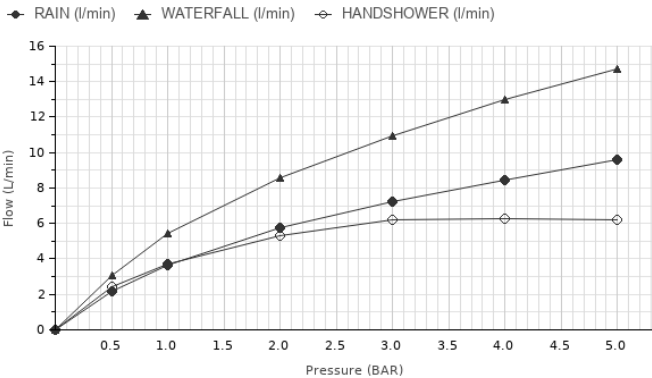
Other Finishes



Matt black
100322787

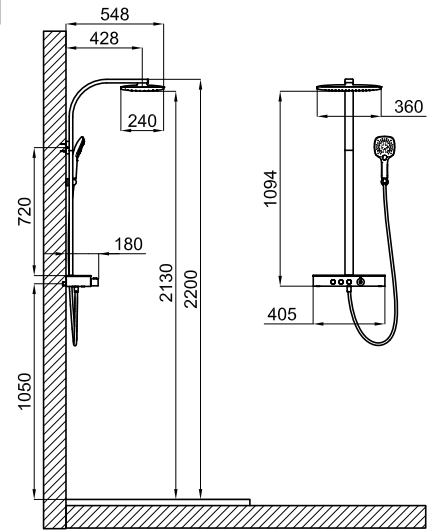
Flow rate diagramme

Pressure (bar)	0	0.5	1	2	3	4	5
Flow - RAIN (l/min) (±15%)	0	2.19	3.62	5.75	7.22	8.46	9.62
Flow - WATERFALL (l/min) (±15%)	0	3.09	5.44	8.6	10.97	12.97	14.73
Flow - HANDSHOWER (l/min) (±15%)	0	2.42	3.68	5.33	6.2	6.25	6.21



Technical drawing

Dimensions in mm



noken
PORCELANOSA BATHROOMS

Warranty: For a warranty or other information on this product, visit our Web address: www.noken.com

Legal disclaimer: All details provided by the NOKEN's Product has an information purpose without any contractual value. In order to obtain further information about the materials and their installation please visit our showrooms. NOKEN reserves the right to modify or delete any information on this site. The images and colours shown in this site may differ from the real ones.

© 2024 noken | Edition: 01/04/2024 INT Ref.125923